



UNH12-600W

Rechargeable Products Sealed Lead Acid Battery

www.oremabattery.com

General Features

- Positive and negative plates in lead-calcium tin alloy.
- Superior energy density
- Operates at a low internal pressure.
- Gas Recombination.
- Usable in any orientation.
- A recognized component of UL.
- Very high power output.
- Application specific designs.
- Six months shelf life at 20°C.
- Design life 10 years.

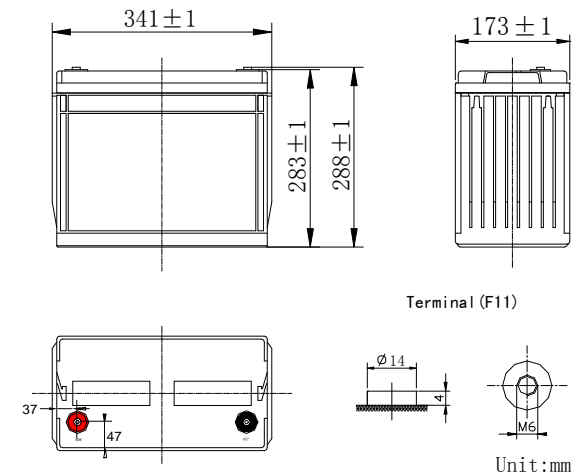


Dimensions

	Length	Width	Height	Total Height	Approx. Weight
<i>SI Units</i>	341mm	173mm	283mm	288mm	48.0Kg
<i>English Units</i>	13.4inch	6.81inch	11.1inch	11.3inch	105.8lbs

Performance Characteristics

- Nominal Voltage: 12V
- Number of cell: 6
- Nominal Capacity 77° F(25°C): 15 min Wattage @1.67V 600W/cell
- Nominal Capacity 77° F(25°C): 10 hour rate (15.0A, 10.8V) 150Ah
- Internal Resistance: Fully Charged battery 68° F(20°C) 3.2mΩ
- Self-Discharge: 3% of capacity declined per month at 20°C
- Operating Temperature Range: Discharge -20~60°C Charge -10~60°C Storage -20~60°C
- Max.Discharge Current 68° F(20°C): 1100A (5S)
- Short Circuit Current: 2950A
- Charge Methods: Constant Voltage Charge 68° F(20°C)
 - Cycle use: 14.4 ~ 14.7V Maximum charging current 36.0A
 - Standby use: 13.6 ~ 13.8V





UNH12-600W

Rechargeable Products Sealed Lead Acid Battery

Discharge Date

Constant Current Discharge Date(Amperes at 25°C)													
End Voltage Per cell/V	10min	15min	20min	25min	30min	35min	40min	45min	50min	55min	1h	1.5h	2h
1.60	430	352	294	252	217	195	172	158	144	131	119	86.0	67.8
1.65	410	332	280	242	210	185	168	154	141	129	118	84.0	66.3
1.70	387	312	265	231	202	179	164	150	137	126	115	81.9	64.6
1.75	363	291	250	219	194	173	159	146	134	123	113	79.7	62.9
1.80	338	269	234	205	185	166	152	141	129	119	110	77.1	60.9

Constant Power Discharge Date(Watts per cell at 25°C)													
End Voltage Per cell/V	10min	15min	20min	25min	30min	35min	40min	45min	50min	55min	1h	1.5h	2h
1.60	704	635	496	433	397	354	322	295	271	245	234	169	134
1.65	681	612	481	421	385	345	313	287	264	238	228	165	132
1.67	669	600	473	415	381	340	309	283	260	234	225	163	130
1.70	658	583	464	407	374	335	303	278	254	231	222	160	128
1.75	629	554	447	393	362	324	294	268	248	224	216	156	125
1.80	600	519	427	378	354	313	283	258	240	217	209	151	121

